

EXTERIOR

spare part list

SERVICE DOORS

D2	2
D3	4
D4	6
D5	8
D6	10
D7	12
Locks & Buttons	14

FLUSH DOORS

FD3	16
FD5	18
Locks & Buttons	20

BOXES

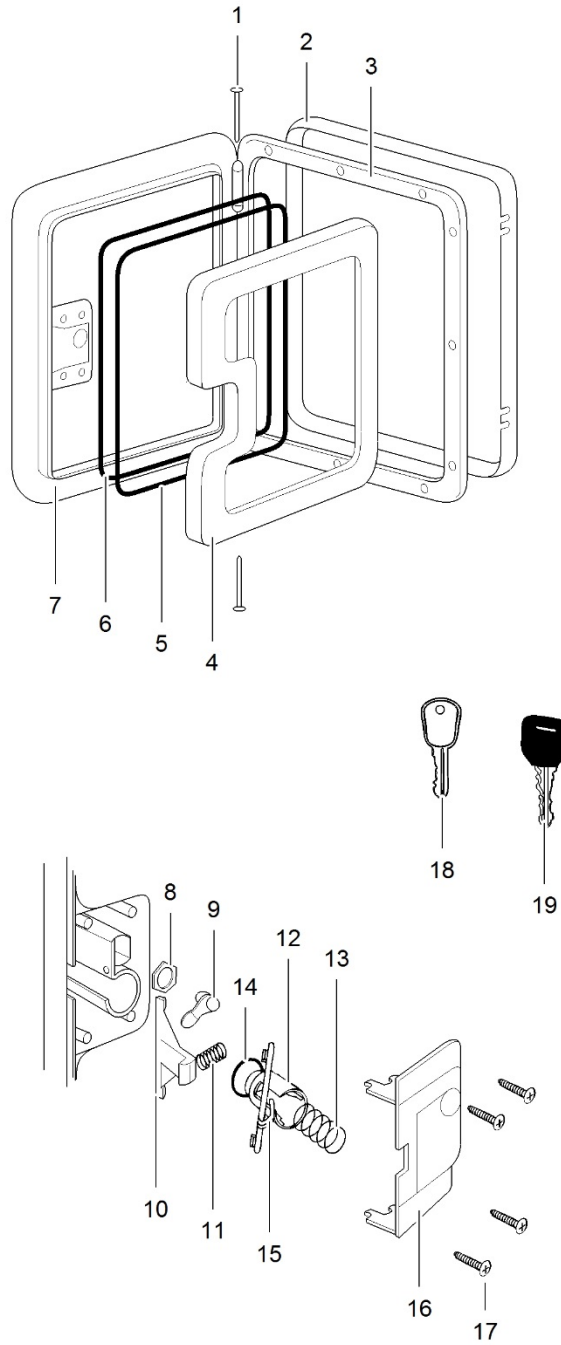
Battery Box	22
Wetlocker Box	24

WATERFILL DOOR

WFD	26
-----	----

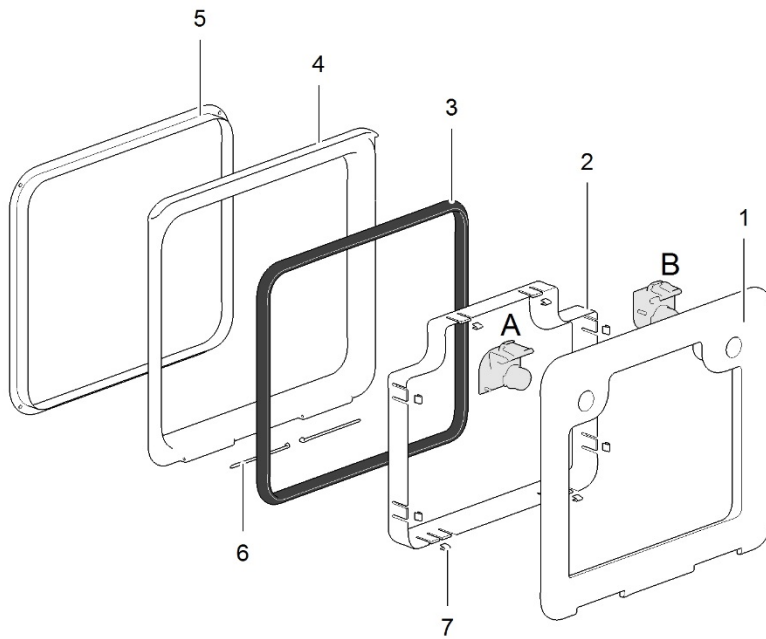
VENTS

186 x 483	28
257 x 432	30
281 x 523	32



LE1038_ServiceDoor1_0213-V01

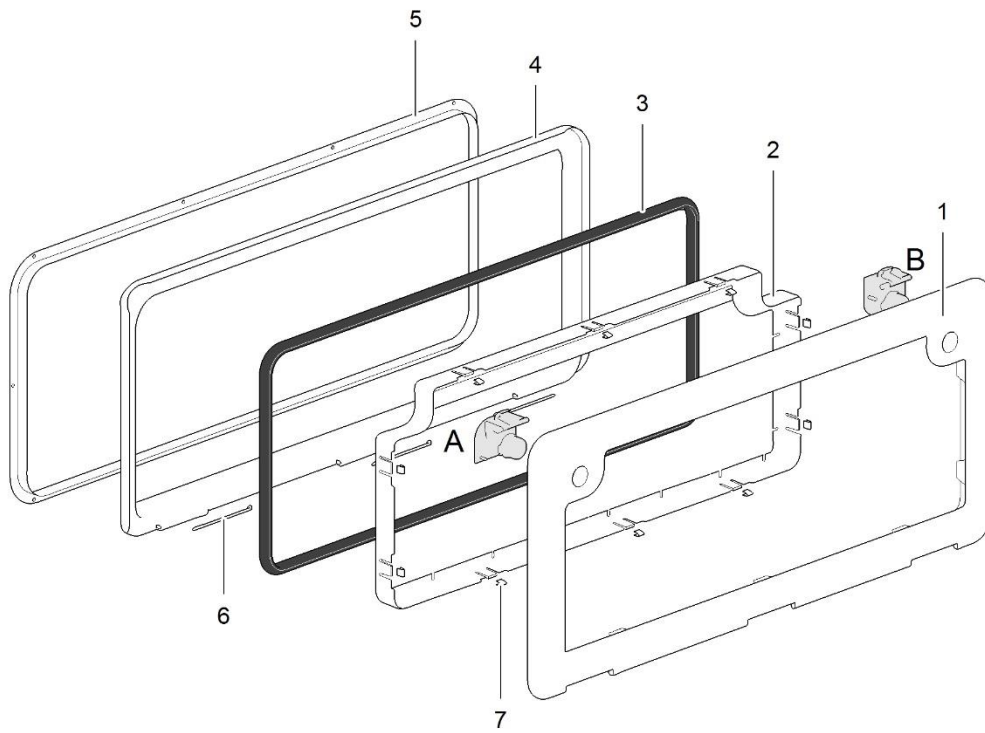
	Spare part number	Spare part number	Colours available
1	Hinge pin	16899	
2	Frame sleeve		
3	Frame outer		
4	Door inner		
5	Door seal	21111	
6	Triangle seal		
7	Door outer		
8	Housing nut		
9	Lock pawl		
10	Latch		
11	Spring		
12	Button		
13	Spring button		
14	O-ring		
15	Lever door		
16	Back plate		
17	Screw		
18	Key Oberholz		
19	Key Zadi		
Lock cover		21109	56, 57, 58
Lock Oberholz complete			
Lock Zadi complete		16831	57
Service door complete <i>incl. lock Zadi</i>		26614	57



LE842_ServiceDoor3_0213-V01

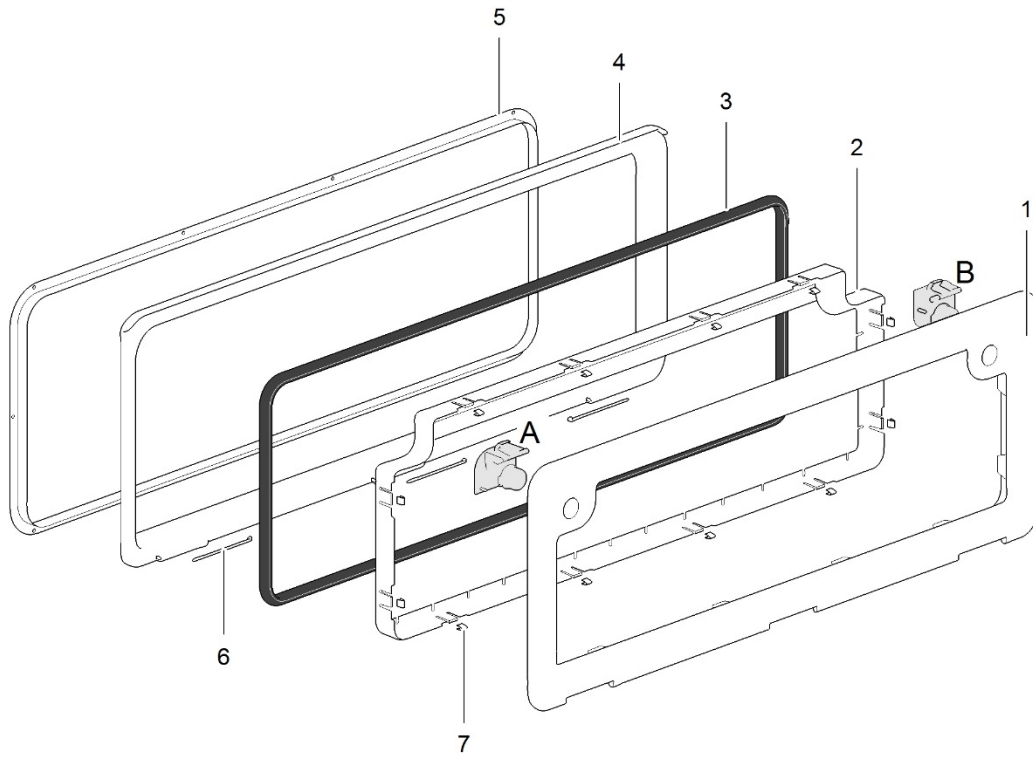
	Spare part number	Spare part number	Colours available
1	Door outer	26628 <i>without locks</i>	15, 22, 25, 27, 57, 58, 76, 80, 84
2	Door inner		
3	Door seal 26601		
4	Frame outer		
5	Frame inner		
6	Hinge pin 26602		
7	Door clip (18x) 26634		

For parts A and B refer to page 14



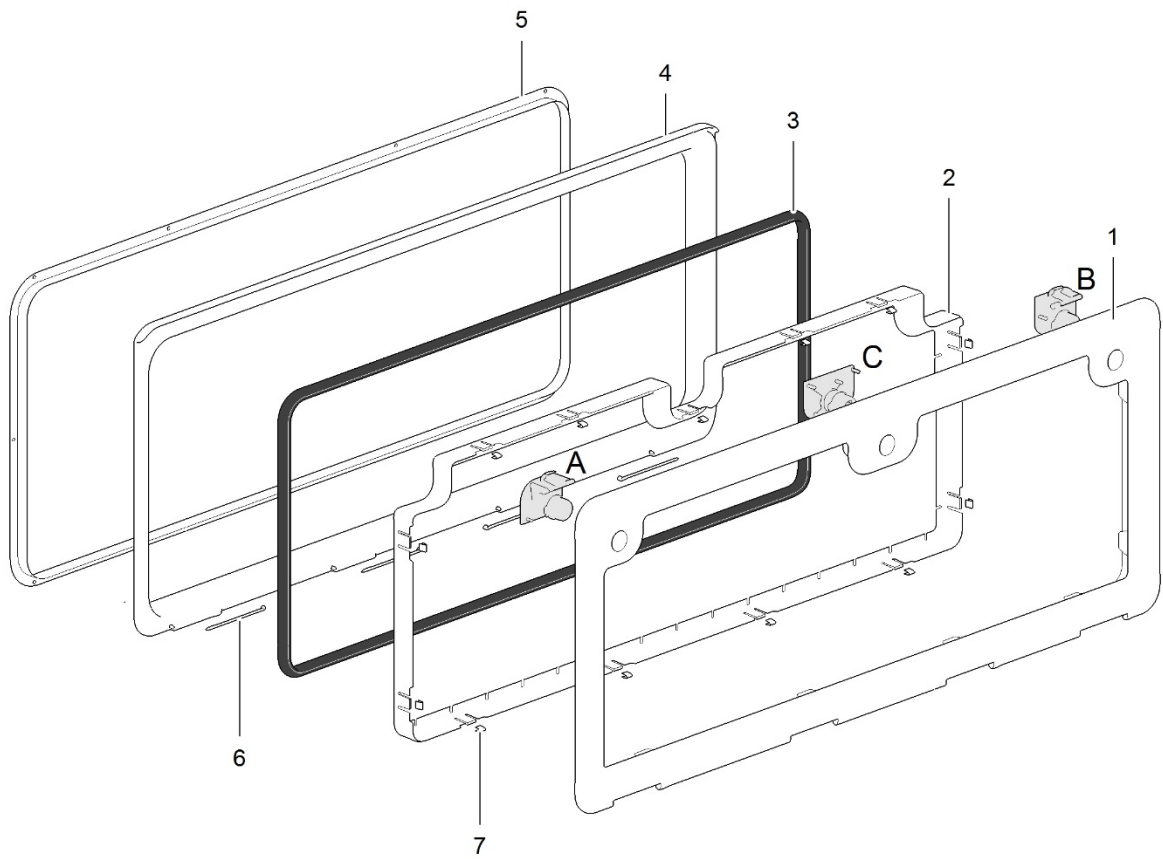
	Spare part number	Spare part number	Colours available
1	Door outer	26629 <i>without locks</i>	22, 25, 27, 57, 76, 80, 84
2	Door inner		
3	Door seal 26605		
4	Frame outer		
5	Frame inner		
6	Hinge pin 26602		
7	Door clip (18x) 26634		

For parts A and B refer to page 14



	Spare part number	Spare part number	Colours available
1	Door outer	26630 <i>without locks</i>	15, 22, 25, 27, 57, 58, 76, 80, 84
2	Door inner		
3	Door seal 26610		
4	Frame outer		
5	Frame inner		
6	Hinge pin 26602		
7	Door clip (18x) 26634		

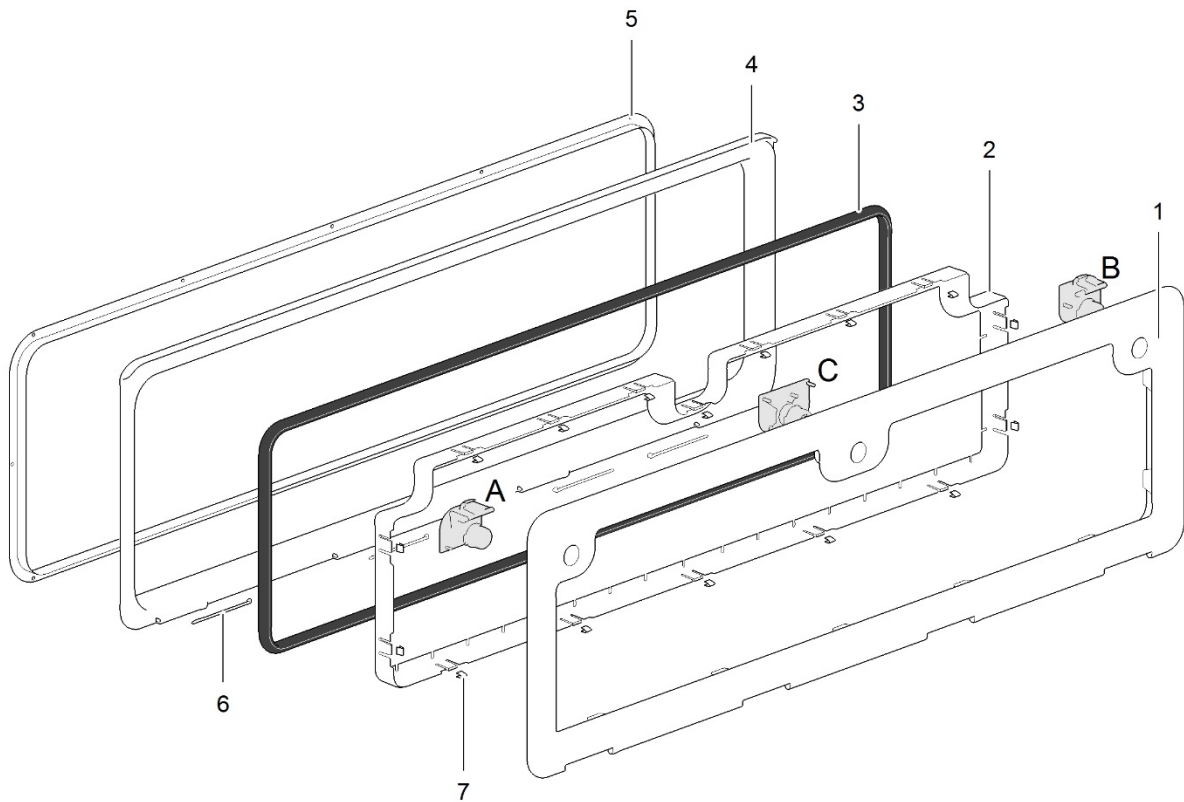
For parts A and B refer to page 14



LE1042_ServiceDoor6_0213-V01

	Spare part number	Spare part number	Colours available
1	Door outer	26631 <i>without locks</i>	22, 25, 27, 57, 58, 76, 80, 84
2	Door inner		
3	Door seal 26611		
4	Frame outer		
5	Frame inner		
6	Hinge pin 26602		
7	Door clip (18x) 26634		

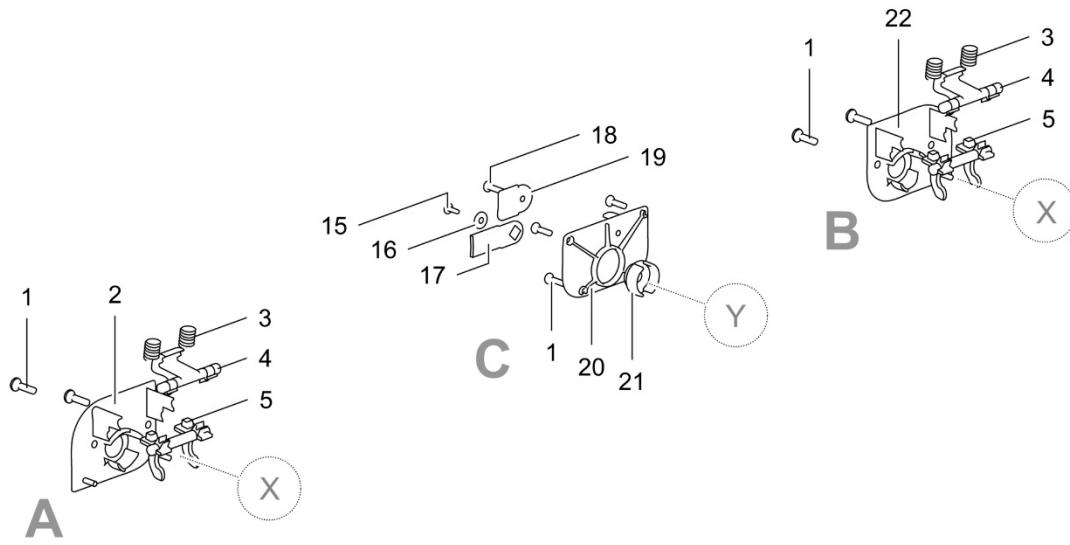
For parts A, B and C refer to page 14



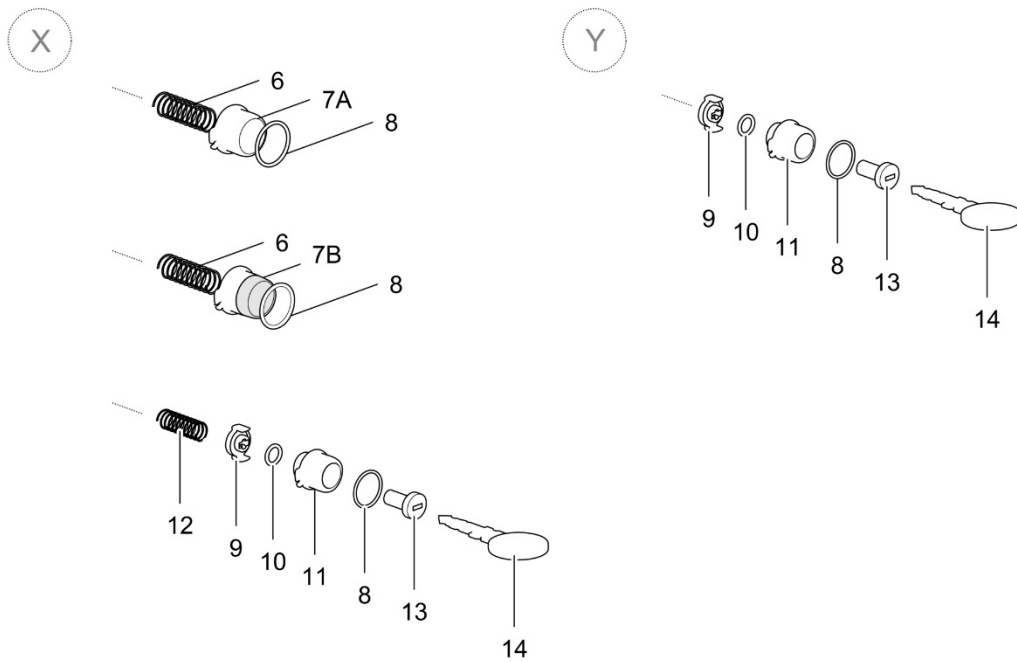
	Spare part number	Spare part number	Colours available
1	Door outer	26632 <i>without locks</i>	22, 25, 76, 80, 84
2	Door inner		
3	Door seal 26612		
4	Frame outer		
5	Frame inner		
6	Hinge pin 26602		
7	Door clip (18x) 26634		

For parts A, B and C refer to page 14

Base

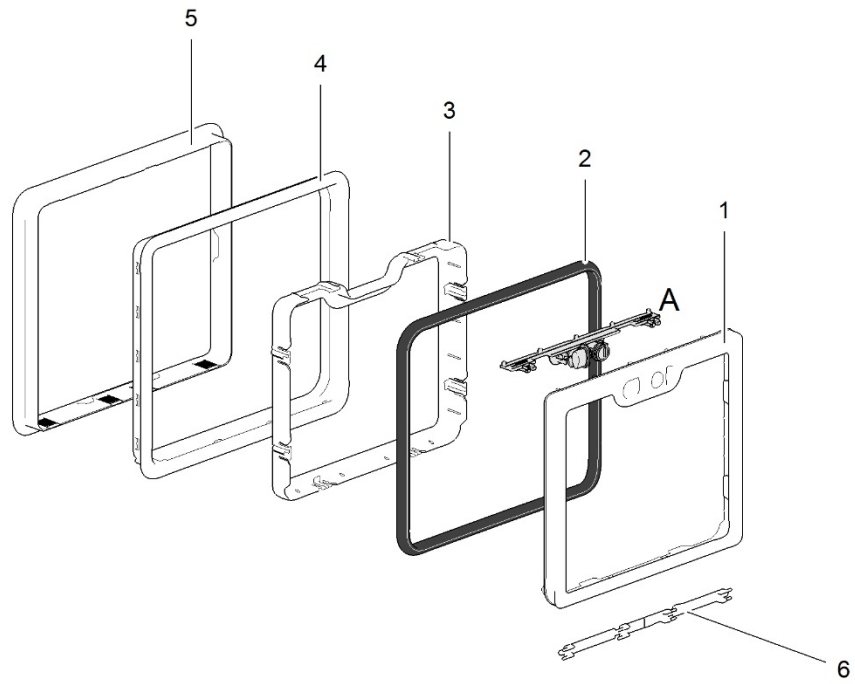


Locks and buttons



LE1043_Service Doors Locks and Buttons_1116-V03

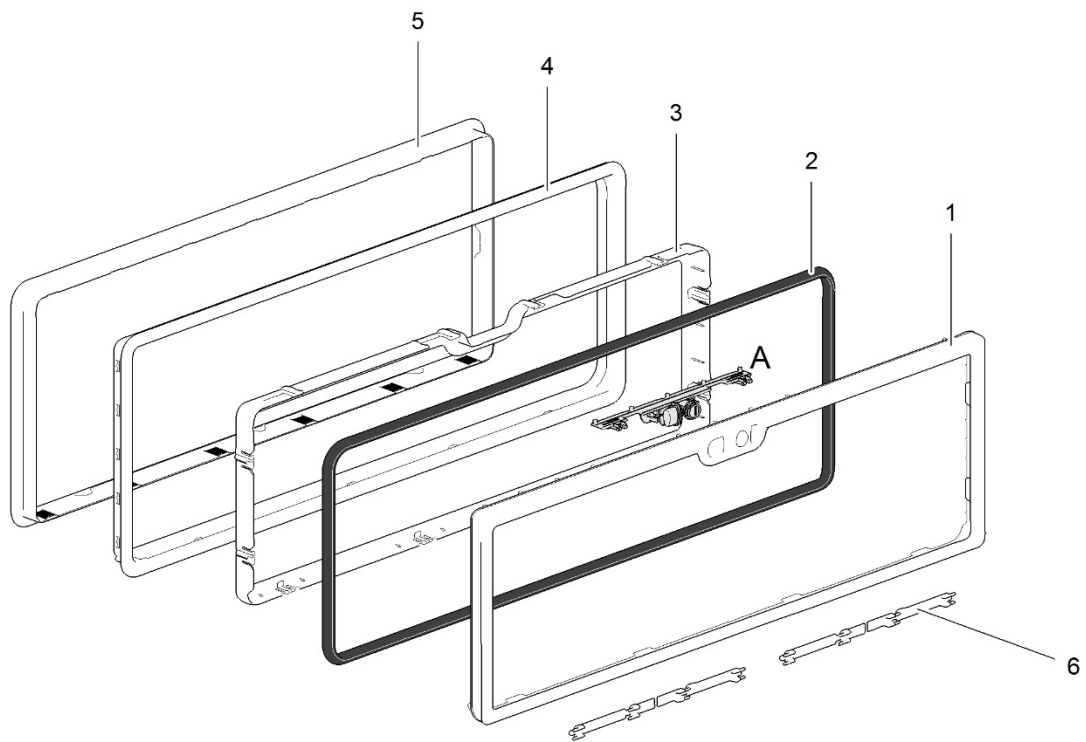
		Spare part number	Spare part number	Colours available	
1	Screw				
2	Back plate (right)				
3	Spring				
4	Latch				
5	Lever				
6	Spring				
7A	Button	26603		27, 57, 58, 80, 84	
7B	Push button magnet	26622			
8	O-ring	26606	26608	26607	
9	Pawl				
10	O-ring				
11	Lock housing				
	<i>FAWO 1 – (F/W)</i>				57, 58, 80, 84
	<i>FAWO 2 (F(2))</i>		26608		27, 57, 58, 80, 84
	<i>ZADI (ZA)</i>			26607	27, 57, 58, 80, 84
	<i>West Alloy Snake Lock (WS)</i>			26621	58, 80
12	Spring				
13	Lock ZADI		26604		
14	Key				
15	Screw				
16	Washer				
17	Latch				
18	Screw				
19	Latch bar				
20	Back plate (centre)				
21	Pawl extension				
22	Back plate (left)				
A + B	Kit for Service door 3, 4 & 5 <i>incl. #6, #8, #12</i>		26626		27, 57, 58, 80, 84
A + B + C	Kit for Service door 6 & 7 <i>incl. #6, #8, #12</i>		26625		27, 57, 58, 80, 84



LE1046_FlushDoor3_0213-V01

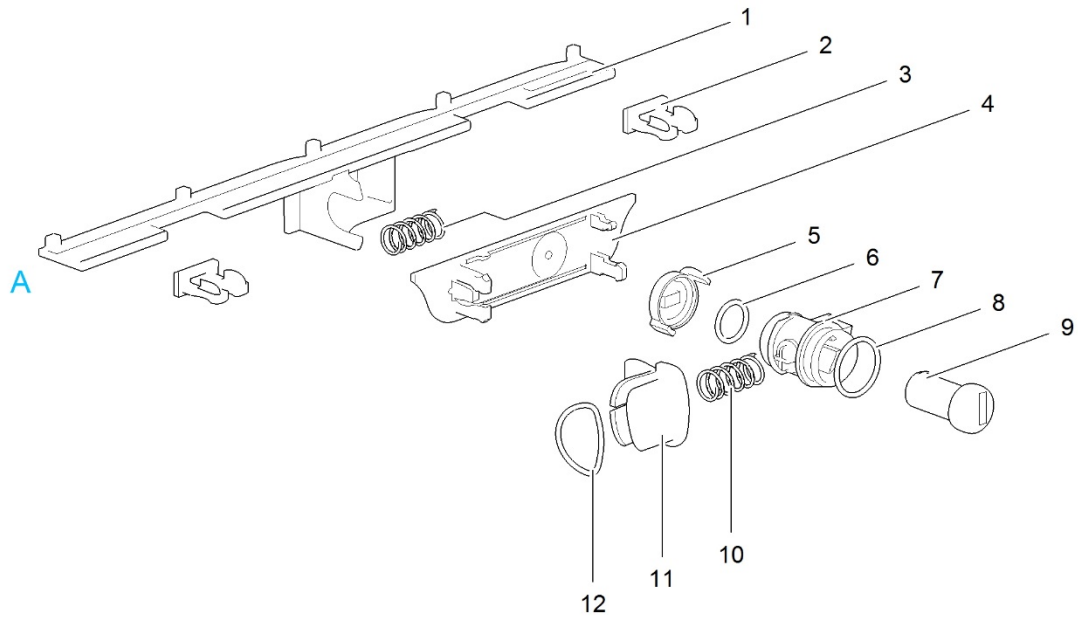
		Spare part number	Spare part number	Colours available
1	Door outer			
2	Door seal	26901		
3	Door inner			
4	Frame outer			
5	Frame inner			
6	Hinge pin (2x)	26430		

For part A refer to page 20



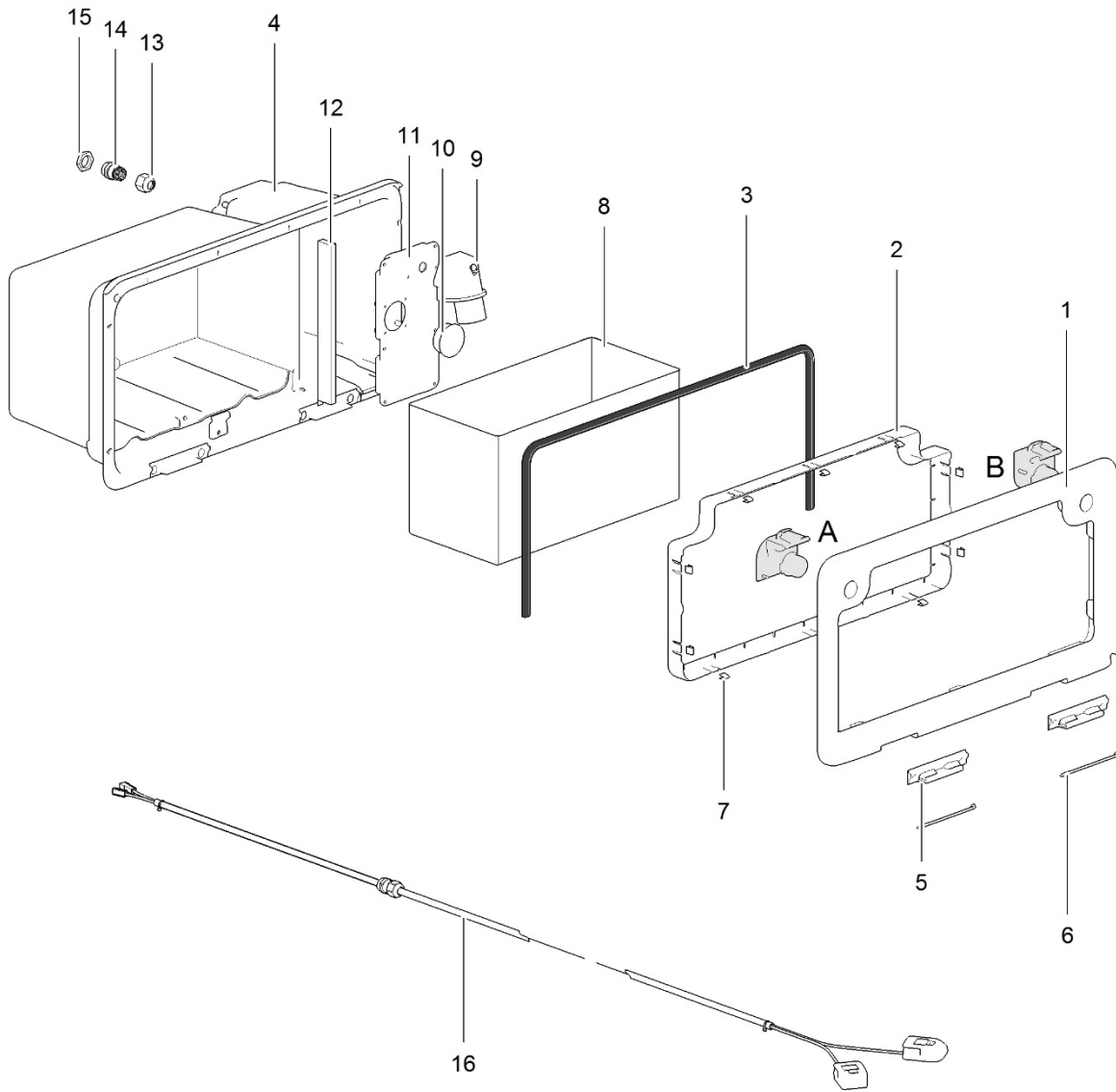
		Spare part number	Spare part number	Colours available
1	Door outer			
2	Door seal	26917		
3	Door inner			
4	Frame outer			
5	Frame inner			
6	Hinge pin (2x)	26430		

For part A refer to page 20



LE1106_FlushDoors-Locks and Buttons_0913-V01

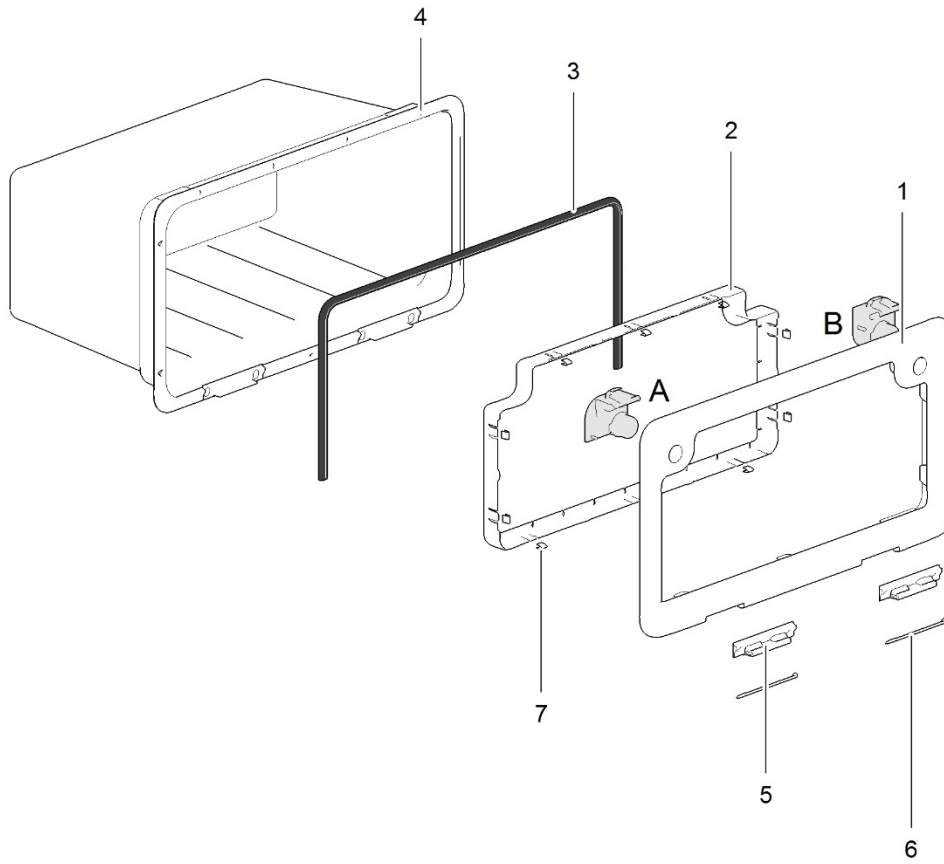
		Spare part number	Spare part number	Colours available
1	Lock plate			
2	Lock plate fixation			
3	Spring			
4	Cover plate			
5	Lock end cap			
6	O-ring			
7	Lock holder			
8	O-ring			
9	Lock			
10	Spring			
11	Button			
12	O-ring			



LE1044_BatteryBox_0313-V01

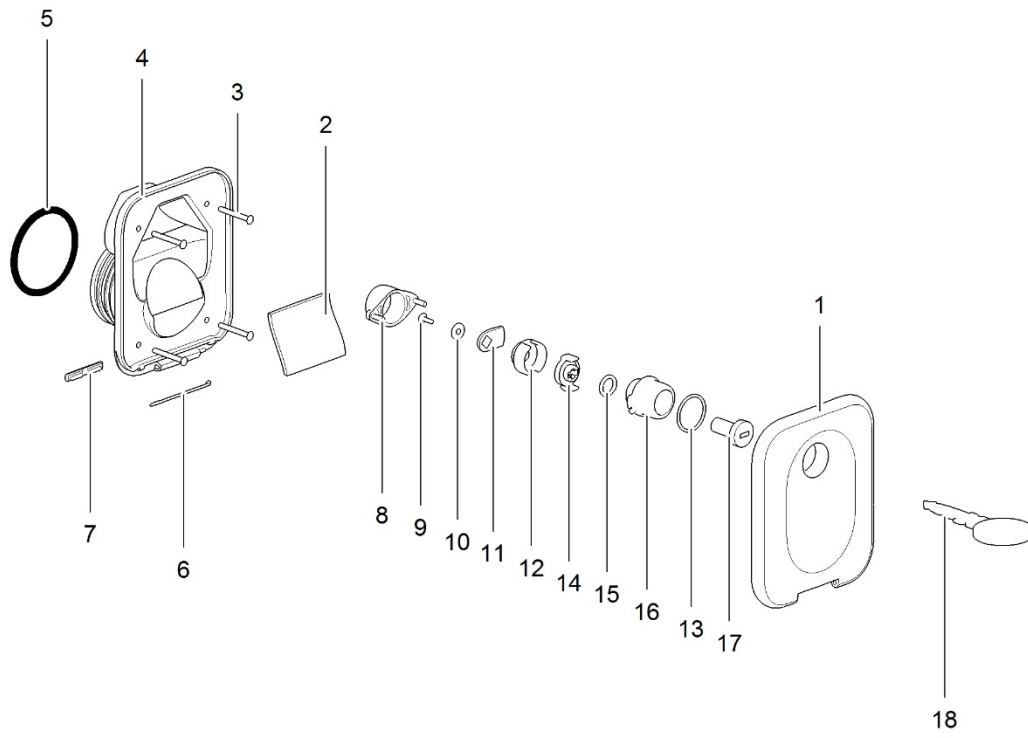
		Spare part number	Spare part number	Colours available
1	Door outer hook			
2	Door inner screw			
3	Door seal clamping plate			
4	Battery box			
5	Hinge			
6	Hinge pin	26602		
7	Door clip (18x)	26634		
8	Soft tray	26620		
9	CEE socket			
10	Blind plug			
11	Mounting plate			
12	Foam divider			
13	Nut PG 13,5			
14	Grommet PG 13,5			
15	Nut			
16	12V Wire harness			

For parts A and B refer to page 14

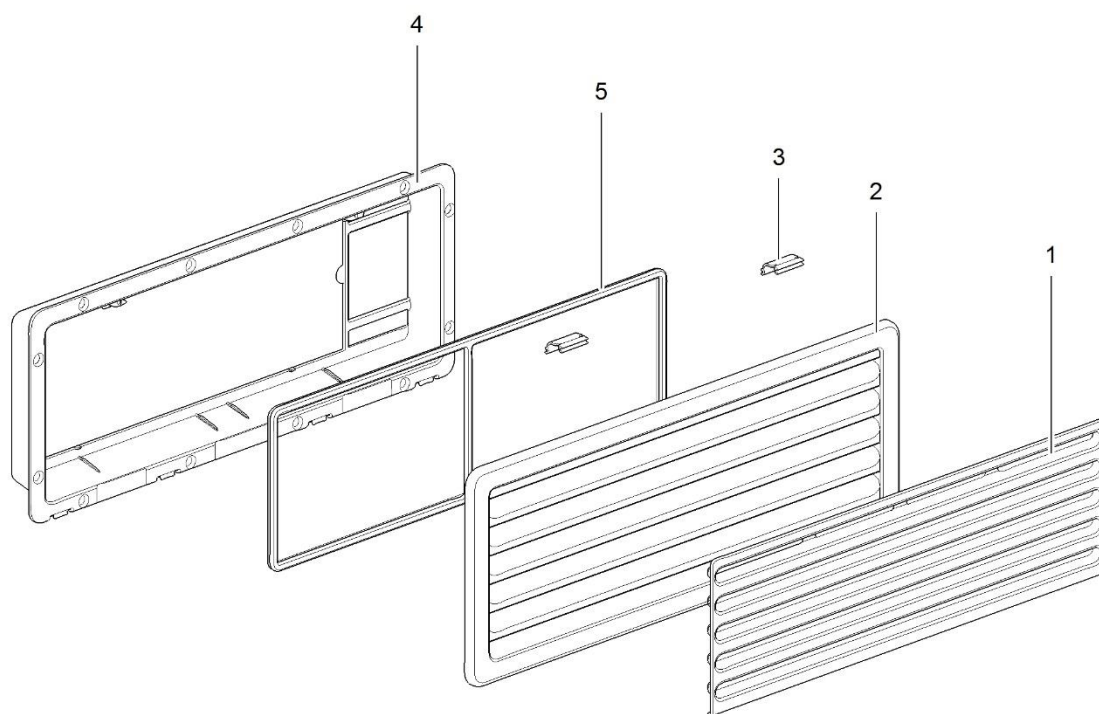


		Spare part number	Spare part number	Colours available
1	Door outer			
2	Door inner			
3	Door seal			
4	Wet locker box			
5	Hinge			
6	Hinge pin	26602		
7	Door clip (18x)	26634		

For parts A and B refer to page 14

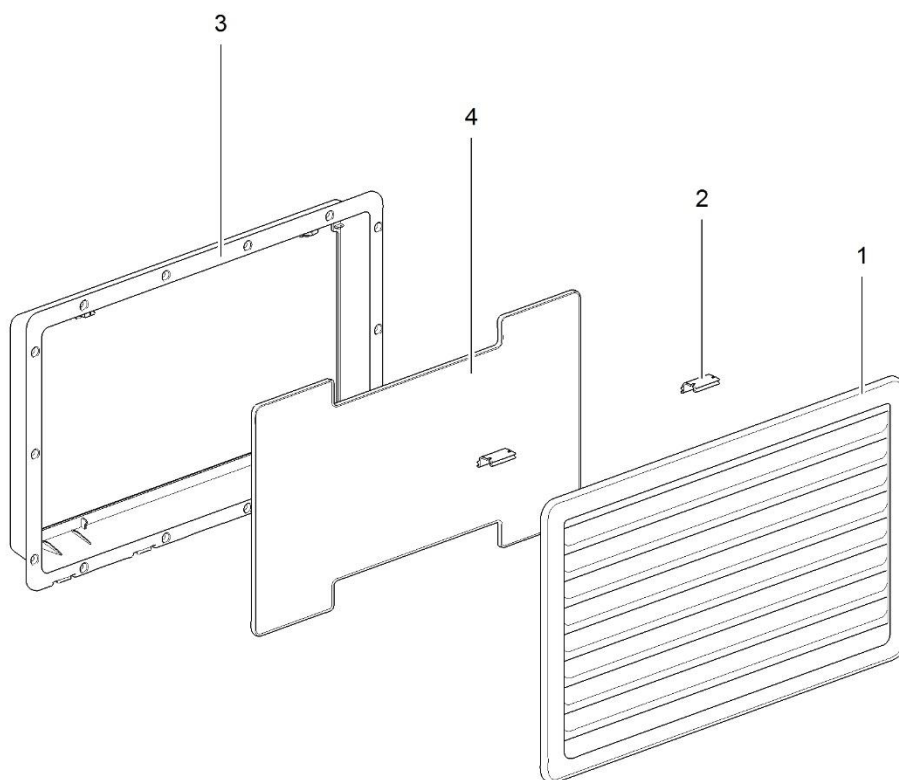


		Spare part number	Spare part number	Spare part number	Colours available
1	Door				
2	Seal				
3	Screws				
4	Frame				
5	O-ring				
6	Hinge pin	26602			
7	Hinge pin guide				
8	Bracket			23791	22, 25, 76, 80, 84
9	Screw				
10	Washer				
11	Latch				
12	Pawl extension				
13	O-ring				
14	Pawl				
15	O-ring				
16	Lock housing				
	<i>FAWO 1 (F/W)</i>	26606			57,58,80,84
	<i>FAWO 2 (F2)</i>		26608		27,57,58, 80,84
	<i>ZADI (ZA)</i>			26607	27,57,58, 80,84
	<i>West Alloy Snake lock (WS)</i>			26621	58, 80
17	Lock ZADI				
18	Key		26604		



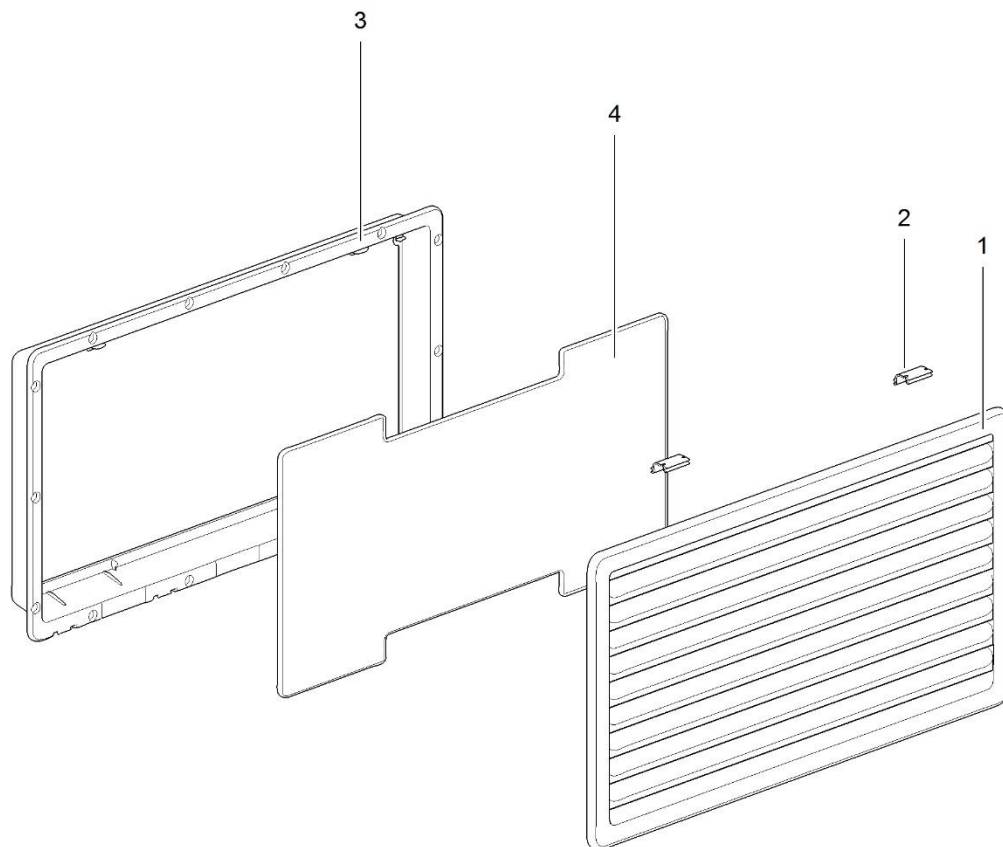
		Spare part number	Spare part number	Colours available
1	Cover	624455		15, 22, 25, 27, 57, 80, 84
2	Vent outer		624454	15, 22, 25, 27, 57, 76, 80, 84
3	Lock clip	628449		
4	Frame			
5	Screen	691128		80

Vent 186 x 483 is mainly used for small fridges.



		Spare part number	Spare part number	Colours available
1	Vent outer		691100	22, 25, 76, 80, 84
2	Lock clip	628449		
3	Frame			
4	Cover	691099		80

Vent 257 x 432 is mainly used for N3141/N3142.



LE1061_Vent: 281x533_1214-V02

	Spare part number	Spare part number	Colours available
1	Vent outer	631140	15, 22, 25, 27, 57, 76, 80, 84
2	Lock clip	628449	
3	Frame		
4	Cover	631150	80

Vent 281 x 523 is mainly used for large fridges.

Colour Numbers	Description	Colour reference
15	Light Grey	NCS S 3000-N
22	White	NCS S1002-G50Y
25	Dark Grey	NCS S 7000-N
27	Black	RAL 9005
56	Very Dark Brown	BASF P30782T
57	Creamy White	RAL 9001
58	Slate Grey	RAL 7015
76	Light Grey	RAL 7035
80	Pure White	RAL 9010
84	Fiat Bianco	NCS S 1002-B
142	Fiat Ducato	RAL 7016